

BT-CAN

CAN to Bluetooth adapter

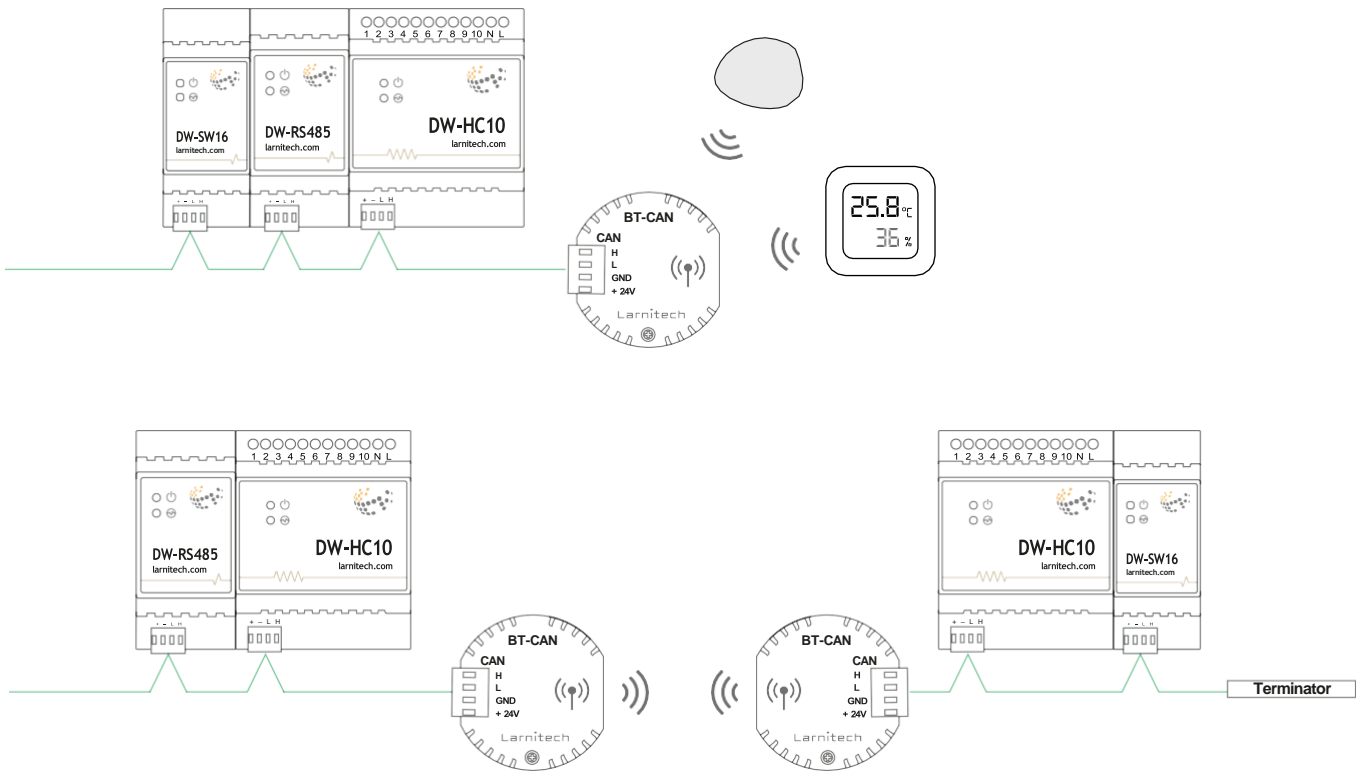
This module is used to connect to remote devices via Bluetooth.



Module parameters

Parameter name	Value
Power supply	11.5 ... 27.5 V DC from CAN or PS
Max current(24V)	30 mA
Max BT distance	220 m
Bus type	CAN (4-wire)
Equipment installation type	Free
Case material	ABS
Protection	IP40
Temperature range	-10 ... +50 °C
Size	45x42x14 mm
Weight	25 g

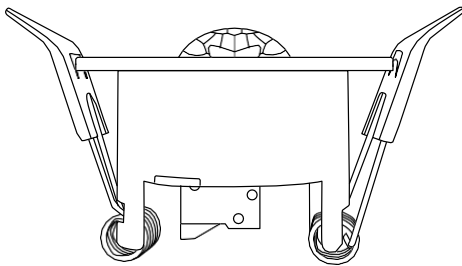
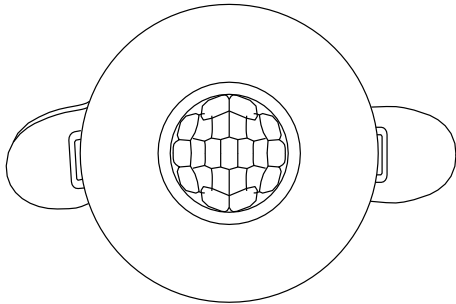
Connection example



CW-MSD

MICRO-SIZED MOTION SENSOR

Motion sensor which can be connected to the MetaForsa series modules.



Module parameters

Parameter name	Value
Control parameters	Motion
Angle of motion	100°
Power supply	5 ... 13 V DC
Max current(13V)	1 mA
Max detection distance	10m
Bus type	CAN (4-wire)
Compatible with	Metaforsa series devices
Equipment installation type	Cell
Case material	ABS
Protection	IP40
Temperature range	-10 ... +50 °C
Size	51x51x37 mm
Weight	15 g

Module dimentions

