

# BT-CAN

## CAN to Bluetooth adapter

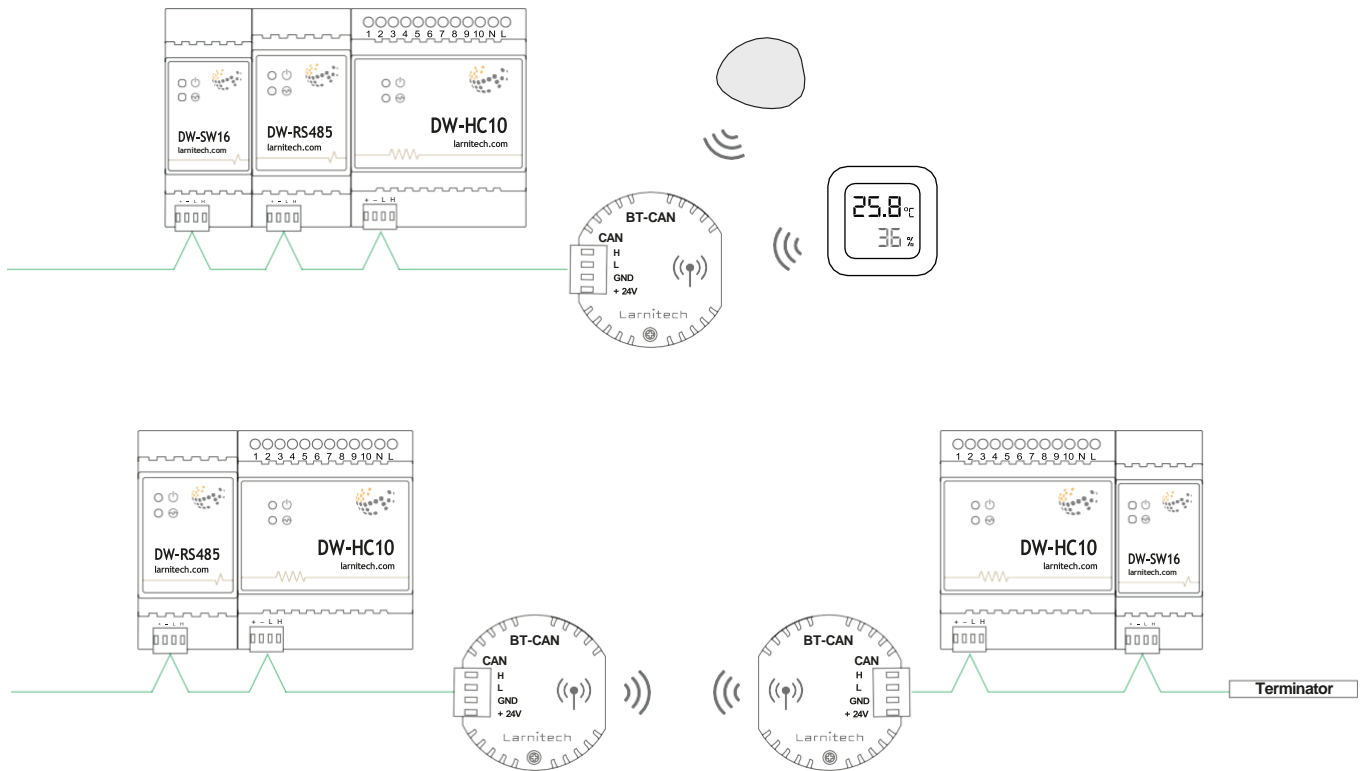
This module is used to connect to remote devices via Bluetooth.



### Module parameters

Parameter name	Value
Power supply	11.5 ... 27.5 V DC from CAN or PS
Max current(24V)	30 mA
Max BT distance	220 m
Bus type	CAN (4-wire)
Equipment installation type	Free
Case material	ABS
Protection	IP40
Temperature range	-10 ... +50 °C
Size	45x42x14 mm
Weight	25 g

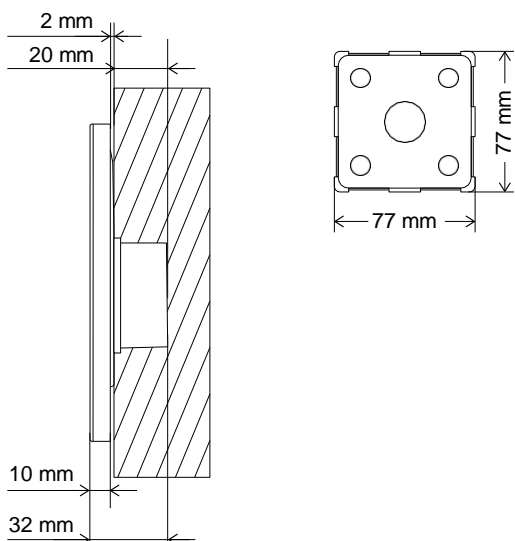
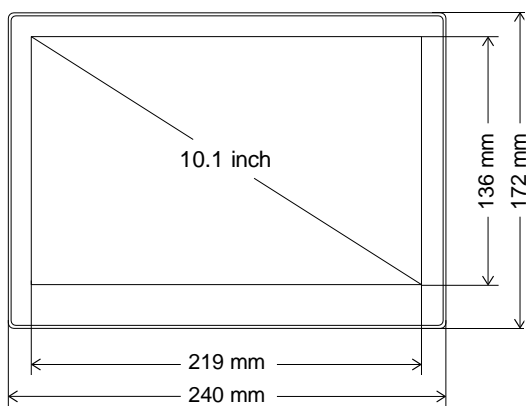
### Connection example



# LCP10

## WALL-MOUNTED CONTROL PANEL

Wall-mounted control panel.



### Tablet parameters

Parameter name	Value
CPU	RK3566 Quad-Core ARM Cortex-A55 1.8GHz
RAM	2G
Internal memory	32G
Operation System	Android 11
Display	10.1" inch Touch IPS Touch Screen
Panel	Full HD 10.1" LCD panel
Resolution	1280*800
Luminance	500cdm2
Aspect Ratio	16:9
WiFi	802.11b/g/n
Ethernet	10M/100M Ethernet
Bluetooth	4.0
USB Device	Type C
Power Jack	DC power 12V
Ethernet POE	802.3af
Material	Metal Case
Speaker	2W*2
Weight	1.5kg
Language	Multi-language