

# BT-CAN

## CAN to Bluetooth adapter

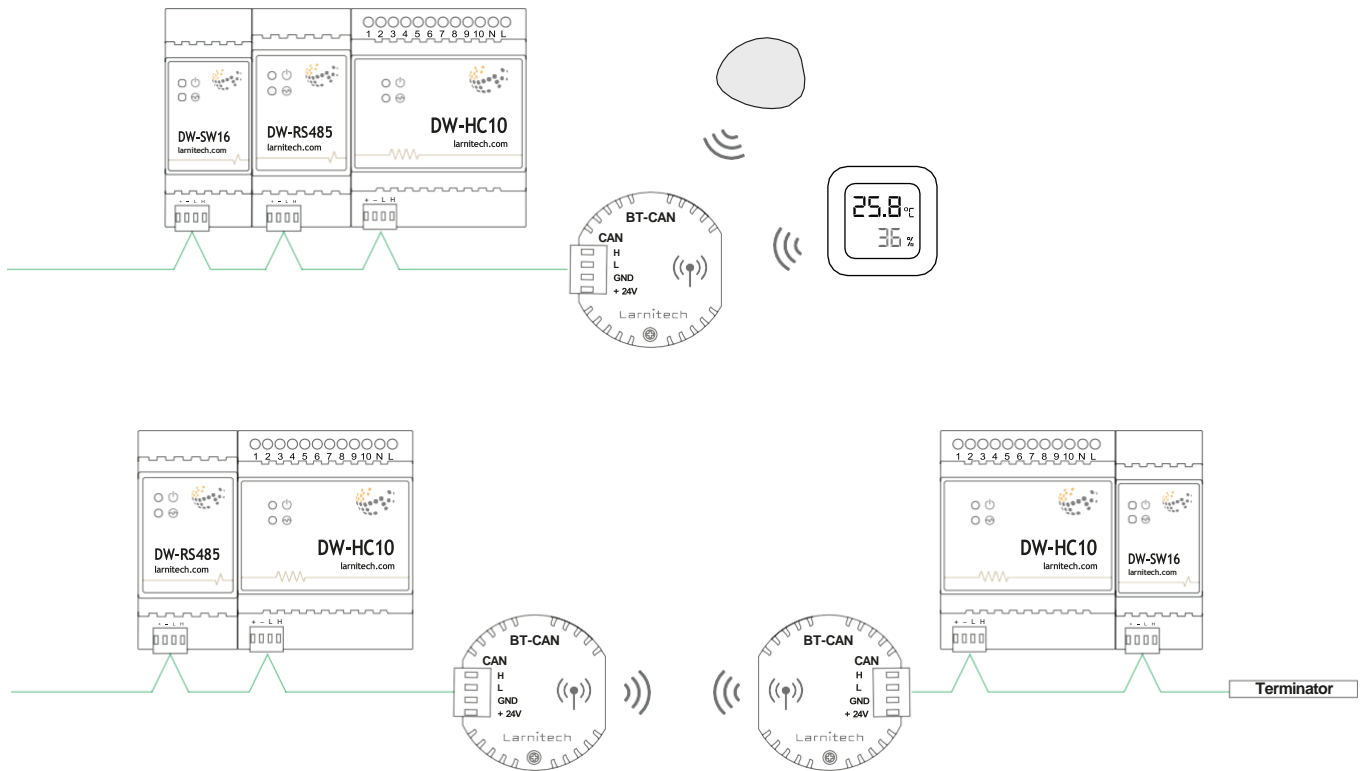
This module is used to connect to remote devices via Bluetooth.



### Module parameters

Parameter name	Value
Power supply	11.5 ... 27.5 V DC from CAN or PS
Max current(24V)	30 mA
Max BT distance	220 m
Bus type	CAN (4-wire)
Equipment installation type	Free
Case material	ABS
Protection	IP40
Temperature range	-10 ... +50 °C
Size	45x42x14 mm
Weight	25 g

### Connection example



# CW-M-II / CW-M-II (black) / CW-MLI-II MOTION SENSOR

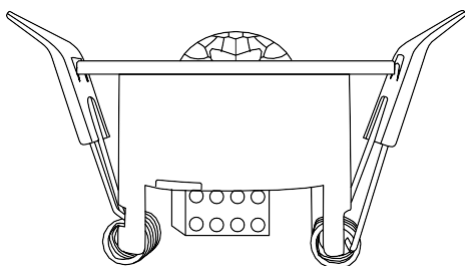
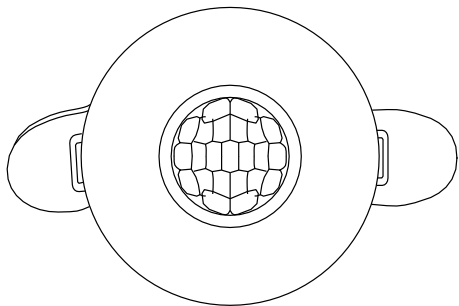
This module contains motion sensor, lighting sensor, and an IR transmitter.



## Module parameters

Parameter name	Value
Control parameters	Motion, Lightning (CW-MLI-II only)
Angle of vision IR	360° (CW-MLI-II only)
Max IR distance	3 meters* (CW-MLI-II only)
Power supply	11.5 ... 27.5 V DC from CAN
Max current(24V)	50 mA
Bus type	CAN (4-wire)
Equipment installation type	Cell
Case material	ABS
Protection	IP40
Temperature range	-10 ... +50 °C
Size	51x51x37 mm
Weight	25 g

\* Depends on many factors, such as the sensitivity of the IR receiver, the reflectivity of surfaces etc. Recommended distance up to 3 meters



## Module dimensions

